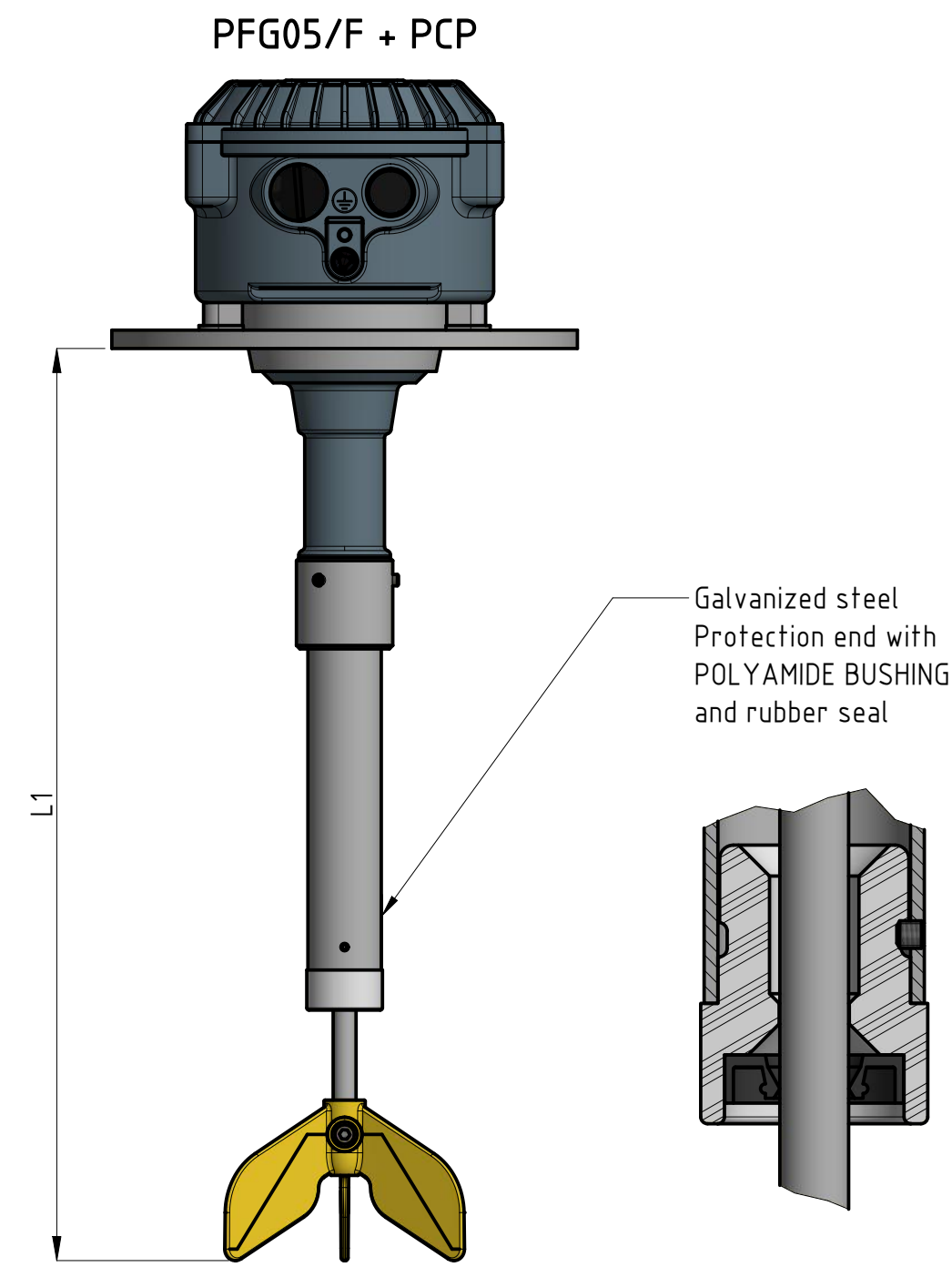
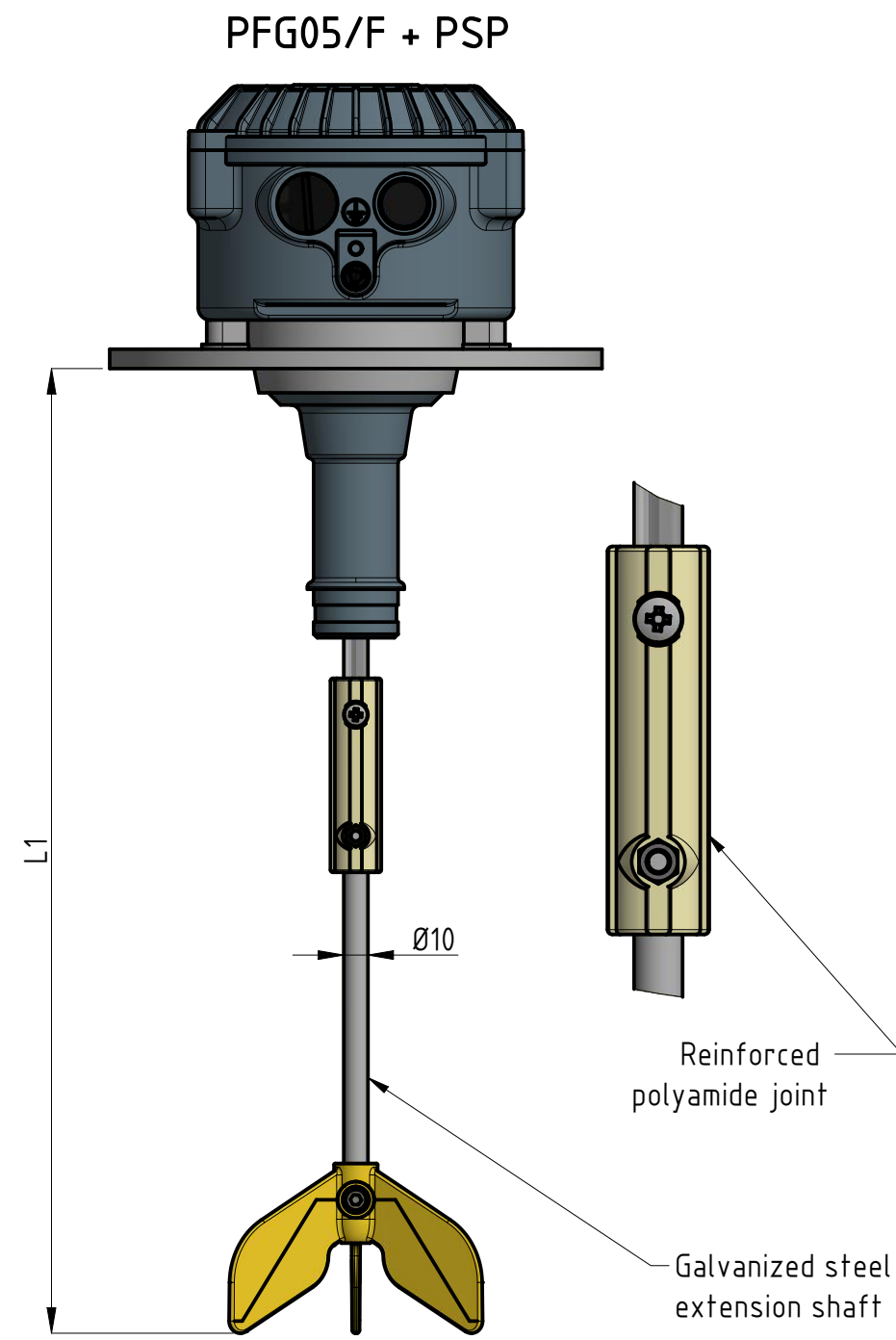
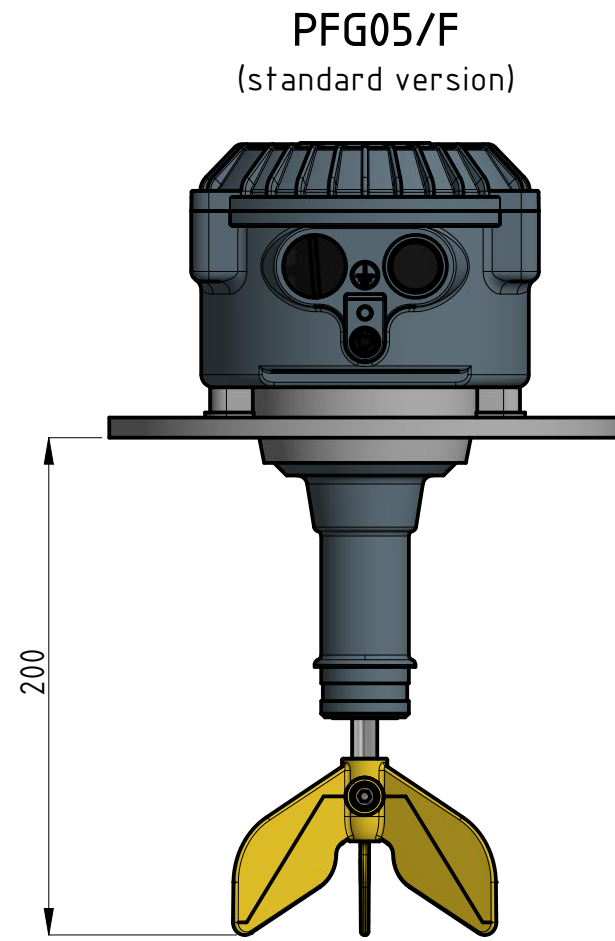


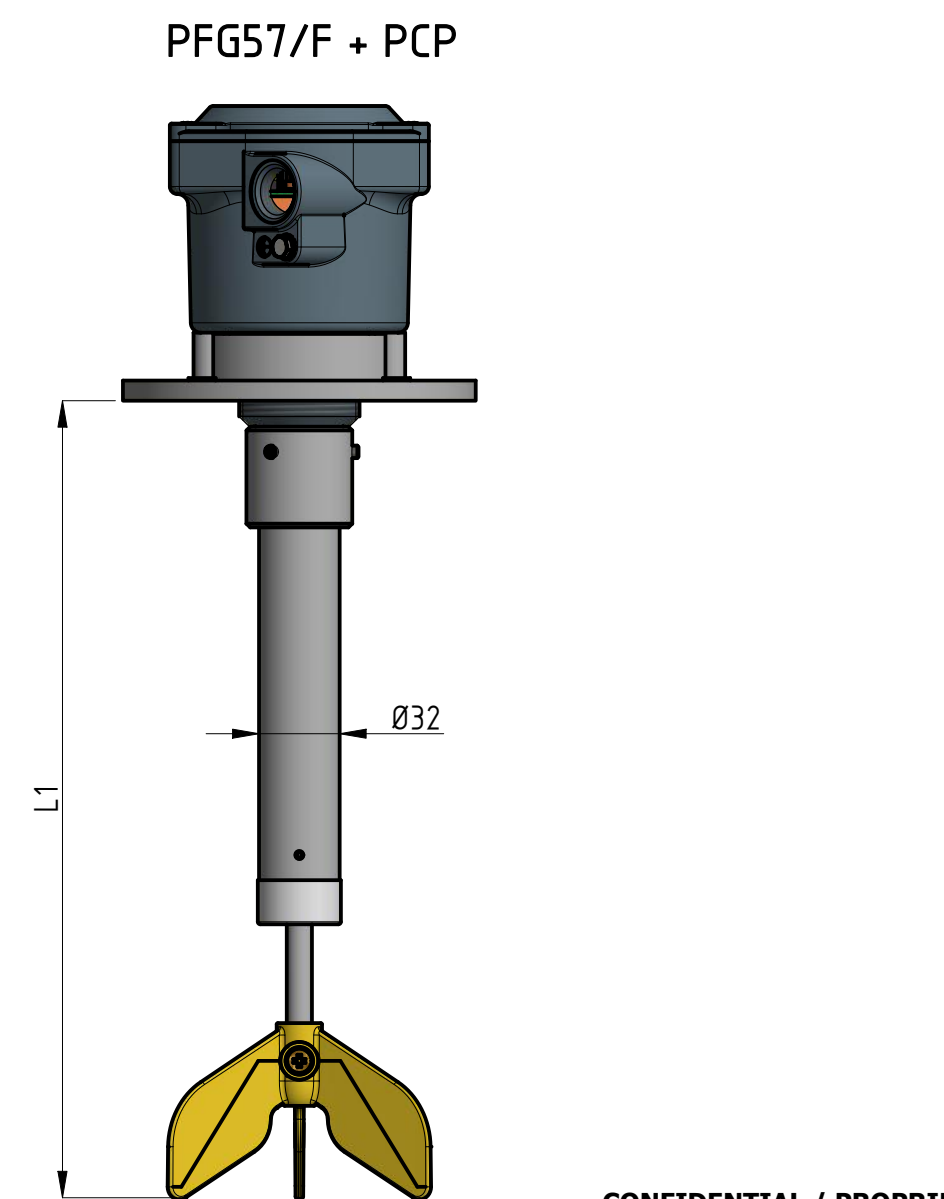
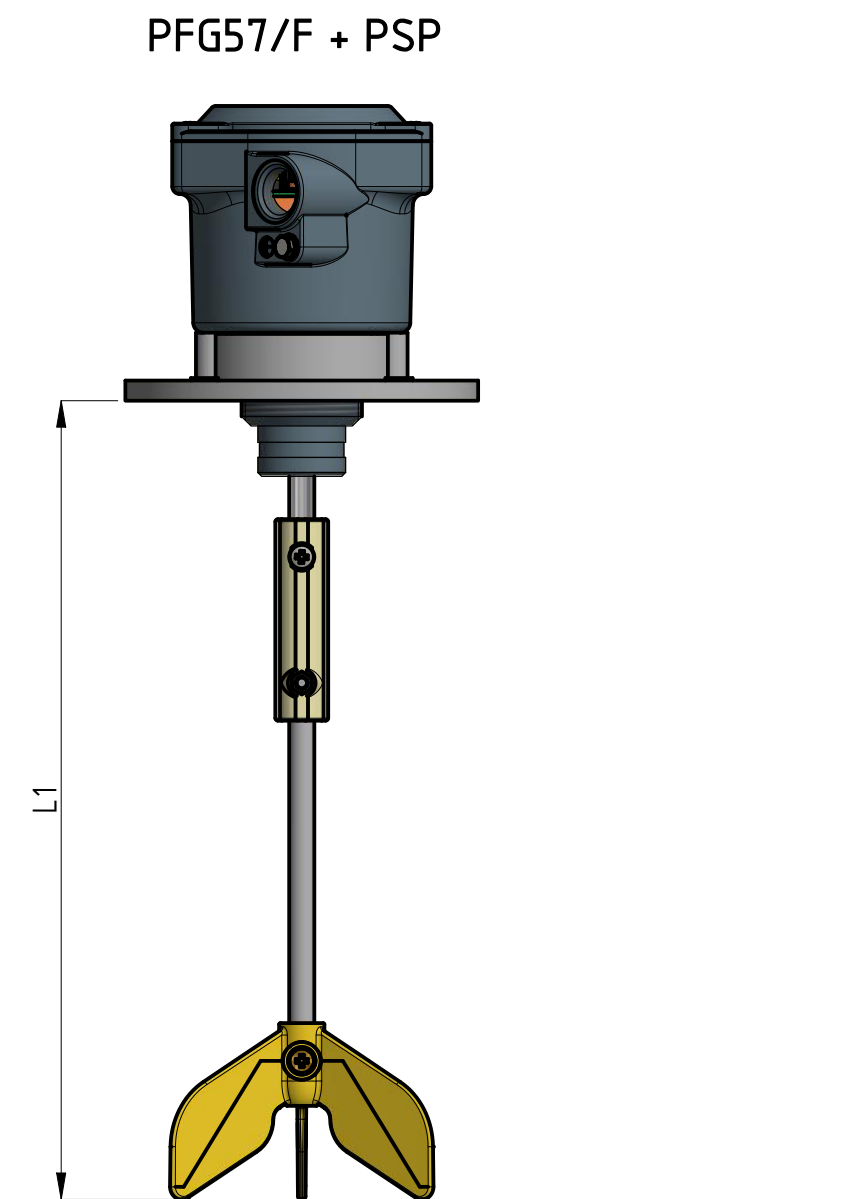
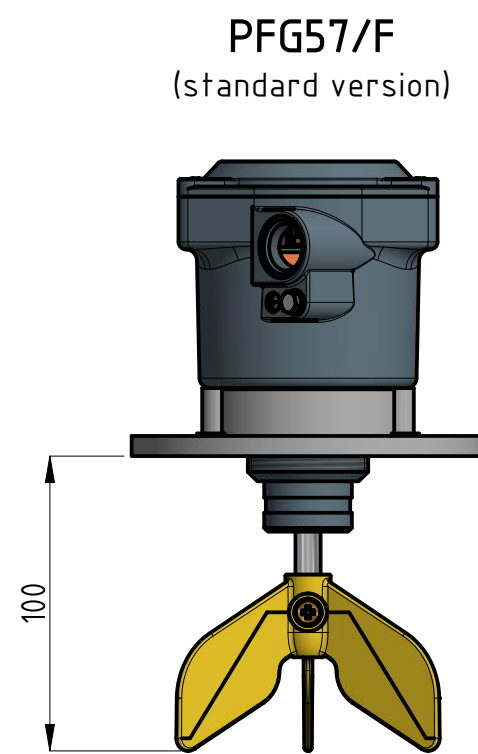
GALVANIZED STEEL EXTENSIONS



PFG-05 with PSP / PCP	
L1	[Total length]
	200 (standard version)
300 ⁴⁾	
400	
500	
600	
700	
800	
900	
1000	
1200	
1500	
1800	
2000	
2500	
3000	

NOTES:

- 1) Unless otherwise specified - dimensions are in [mm] -
- 2) Lengths may vary according to the type of connection, model type and paddle chosen
- 3) Special extension lengths are available on request. Please contact commercial office
- 4) Single shaft execution (no plastic joint). Extension / protection not sold separately



PFG-57 with PSP / PCP	
L1	[Total length]
	100 (standard version)
200 ⁴⁾	
300	
400	
500	
600	
700	
800	
900	
1100	
1400	
1700	
1900	
2400	
2900	

**CONFIDENTIAL / PROPRIETARY
DO NOT DISTRIBUTE**

© CAMLogic, 2020
- ALL RIGHTS RESERVED -

© CAMLogic
Via Dell'Industria 12
42025 Cavriago - ITALY
Web: www.camlogic.it

CAMLOGIC®

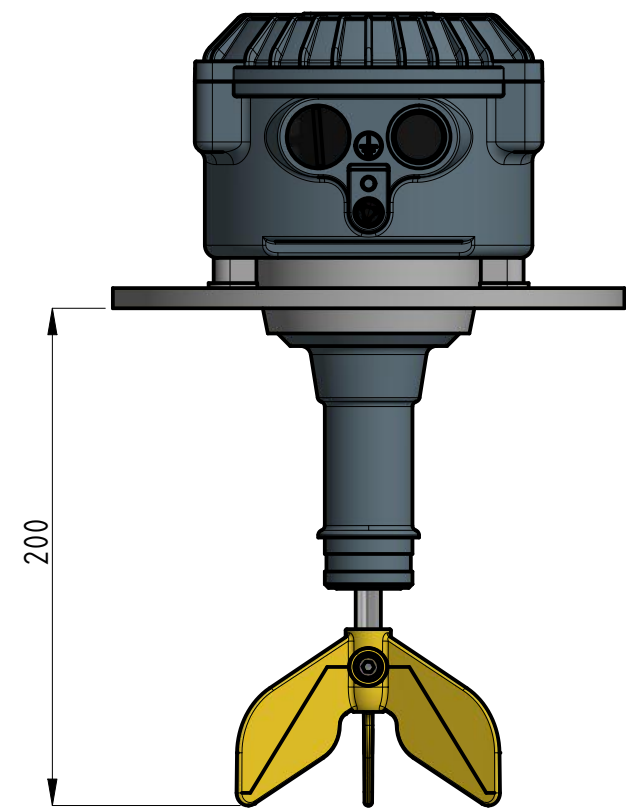
DRAWING N.
I4430

SHEET:
1 OF 5
REV: 1

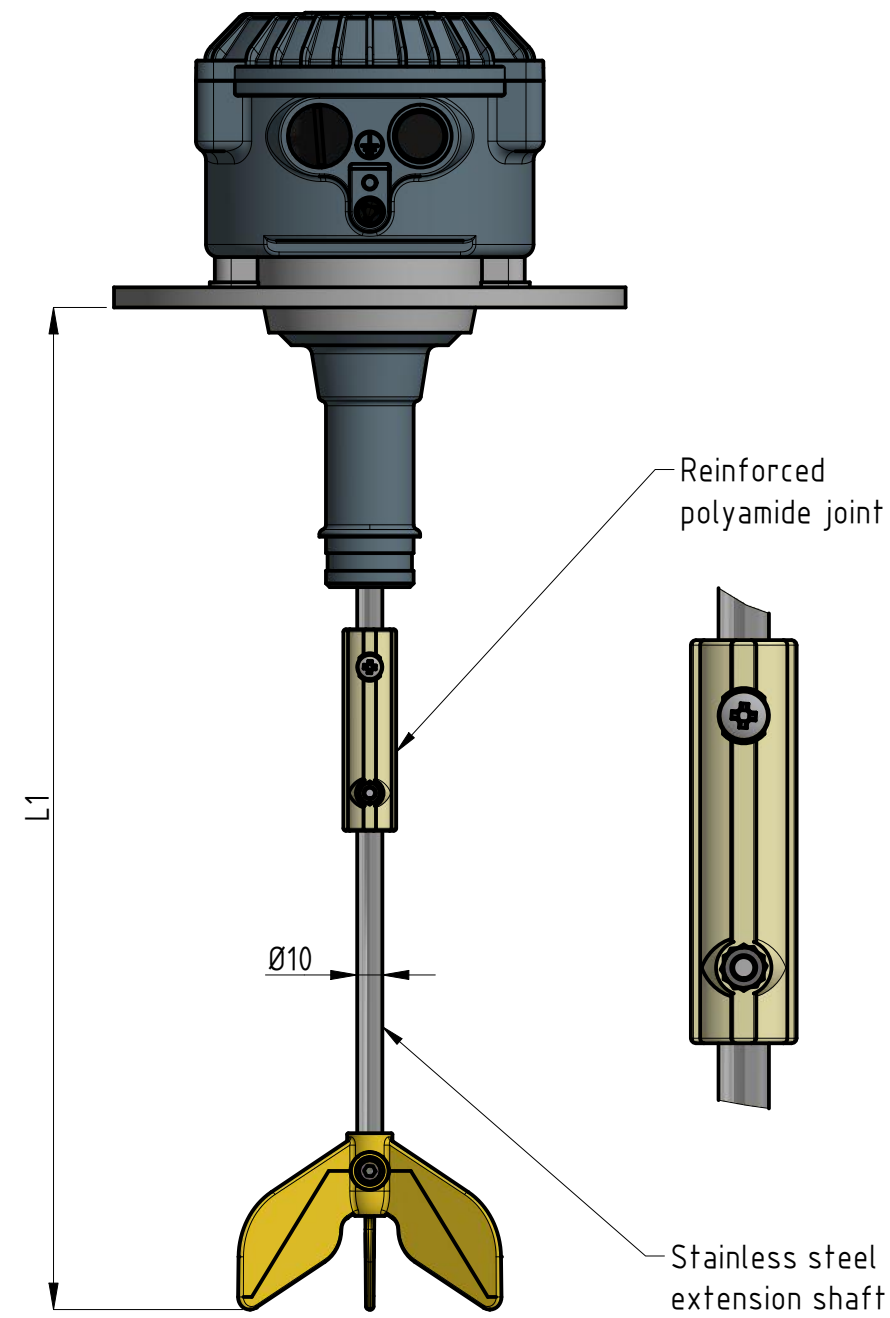
SIZE: UN/A2

STAINLESS STEEL EXTENSIONS

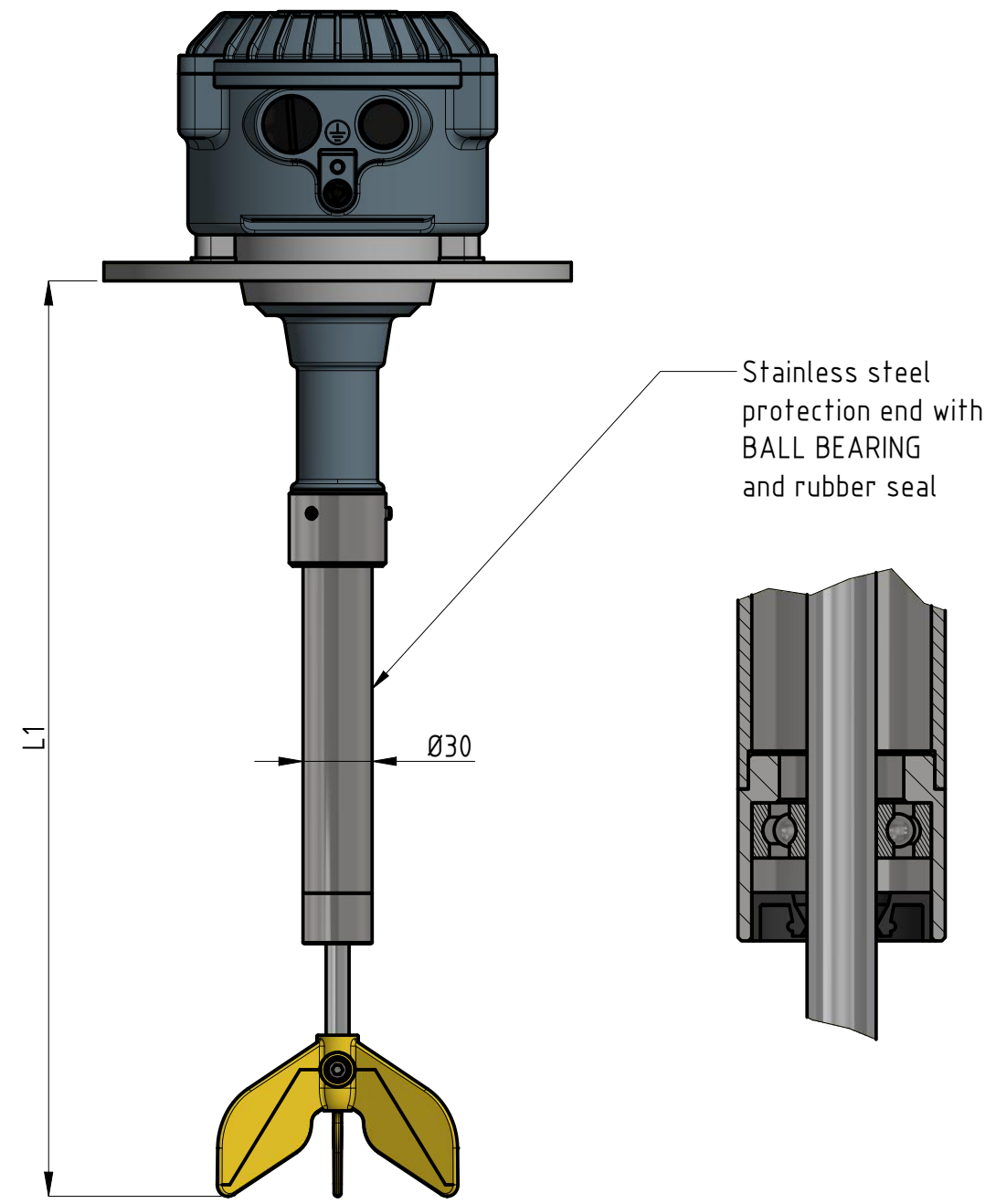
PFG-05/F
(standard version)



PFG-05/F + PSPX



PFG-05/F + PCPX



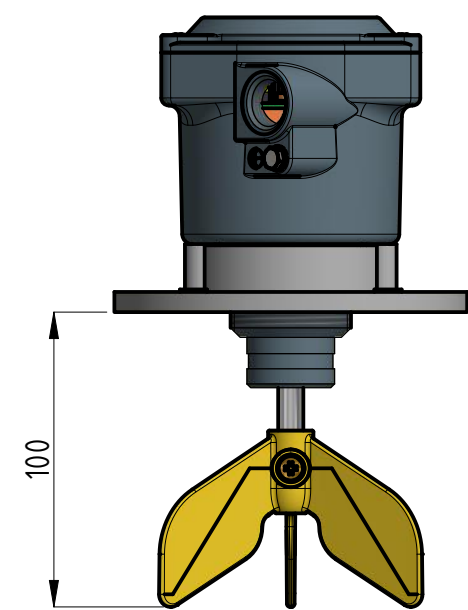
PFG-05 with PSPX / PCPX

L1
[Total length]
200 (standard version)
300 ⁴⁾
400
500
600
700
800
900
1000
1200
1500
1800
2000
2500
3000

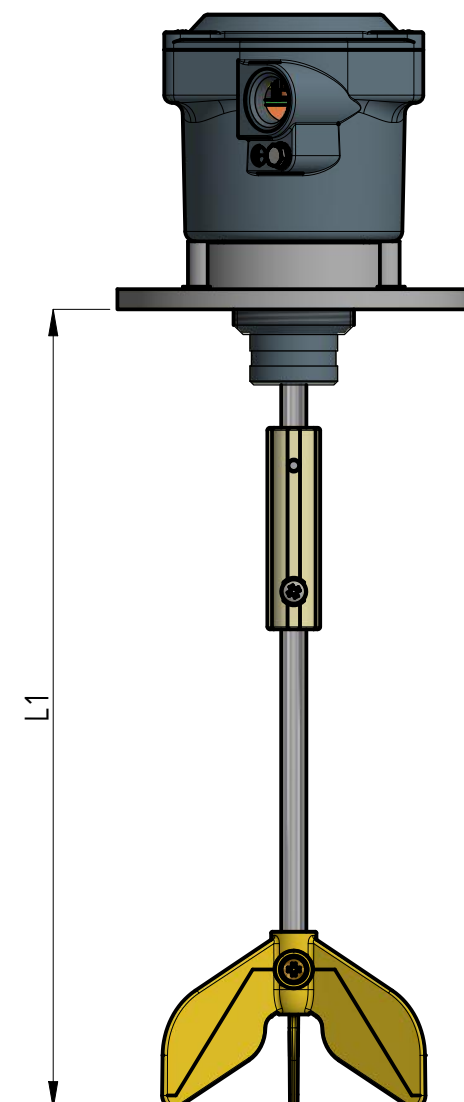
NOTES:

- 1) Unless otherwise specified - dimensions are in [mm] -
- 2) Lengths may vary according to the type of connection, model type and paddle chosen
- 3) Special extension lengths are available on request. Please contact commercial office
- 4) Single shaft execution (no plastic joint). Extension / protection not sold separately

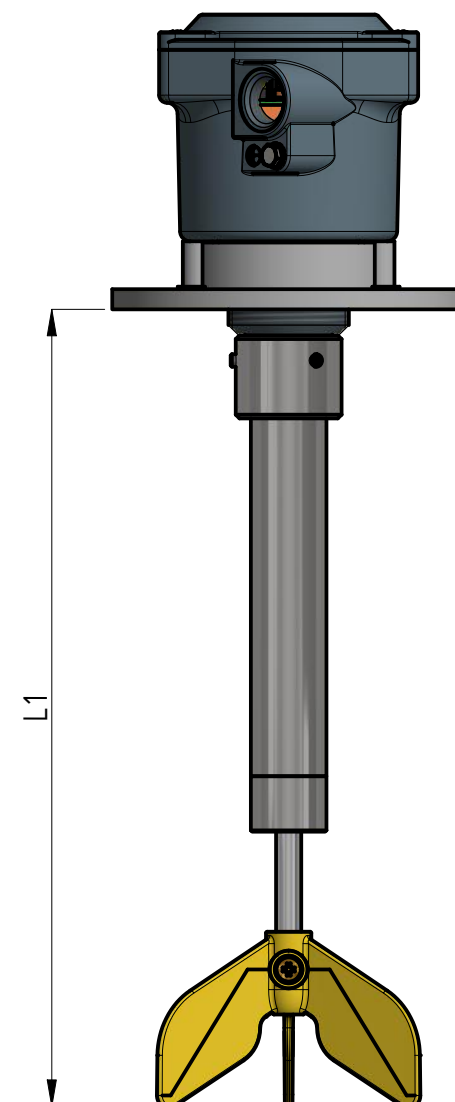
PFG-57/F
(standard version)



PFG-57/F + PSPX



PFG-57/F + PCPX



PFG-57 with PSPX / PCPX

L1
[Total length]
100 (standard version)
200 ⁴⁾
300
400
500
600
700
800
900
1100
1400
1700
1900
2400
2900

**CONFIDENTIAL / PROPRIETARY
DO NOT DISTRIBUTE**

© CAMLogic, 2020
- ALL RIGHTS RESERVED -

® CAMLogic
Via Dell'Industria 12
42025 Cavriago - ITALY
Web: www.camlogic.it

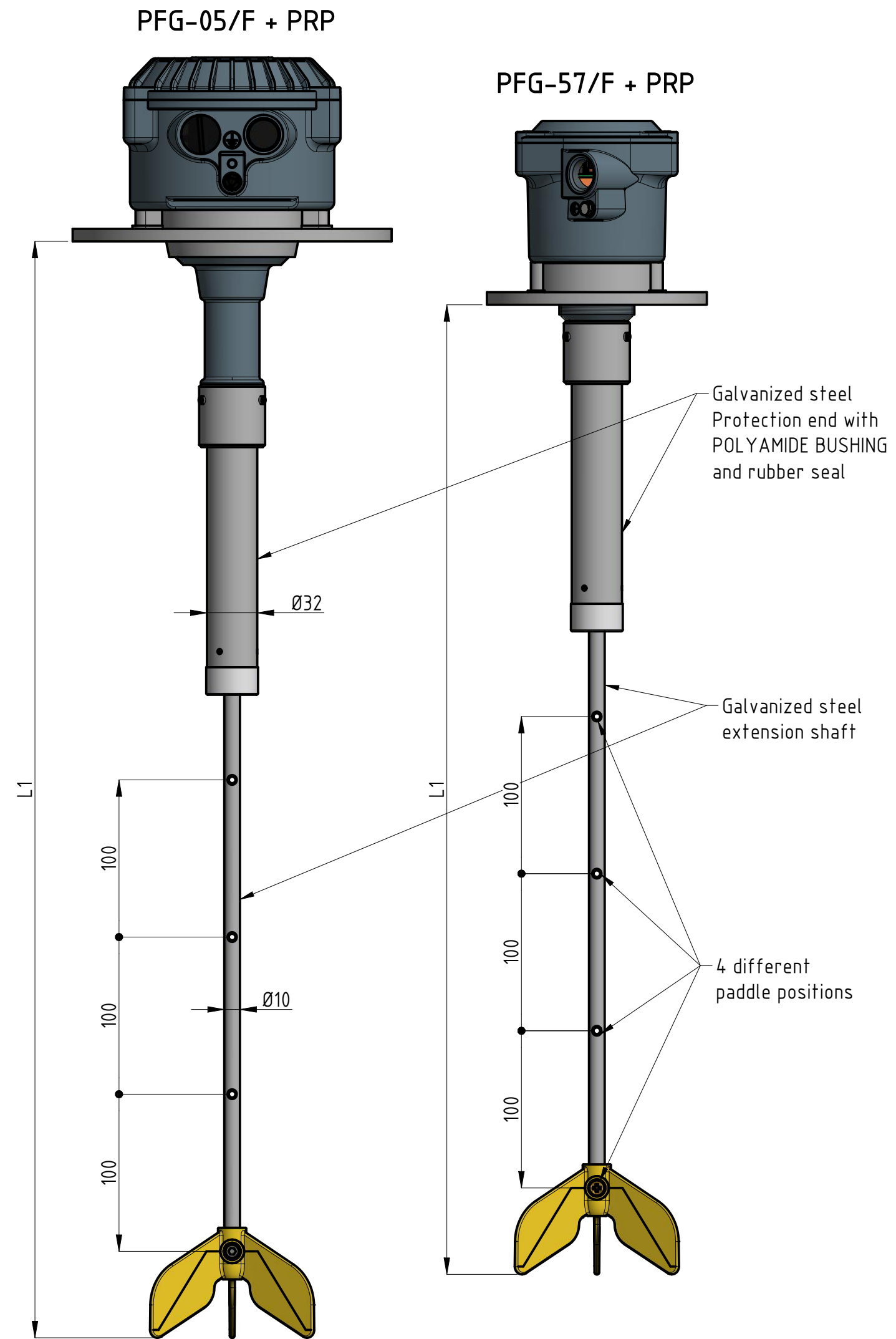
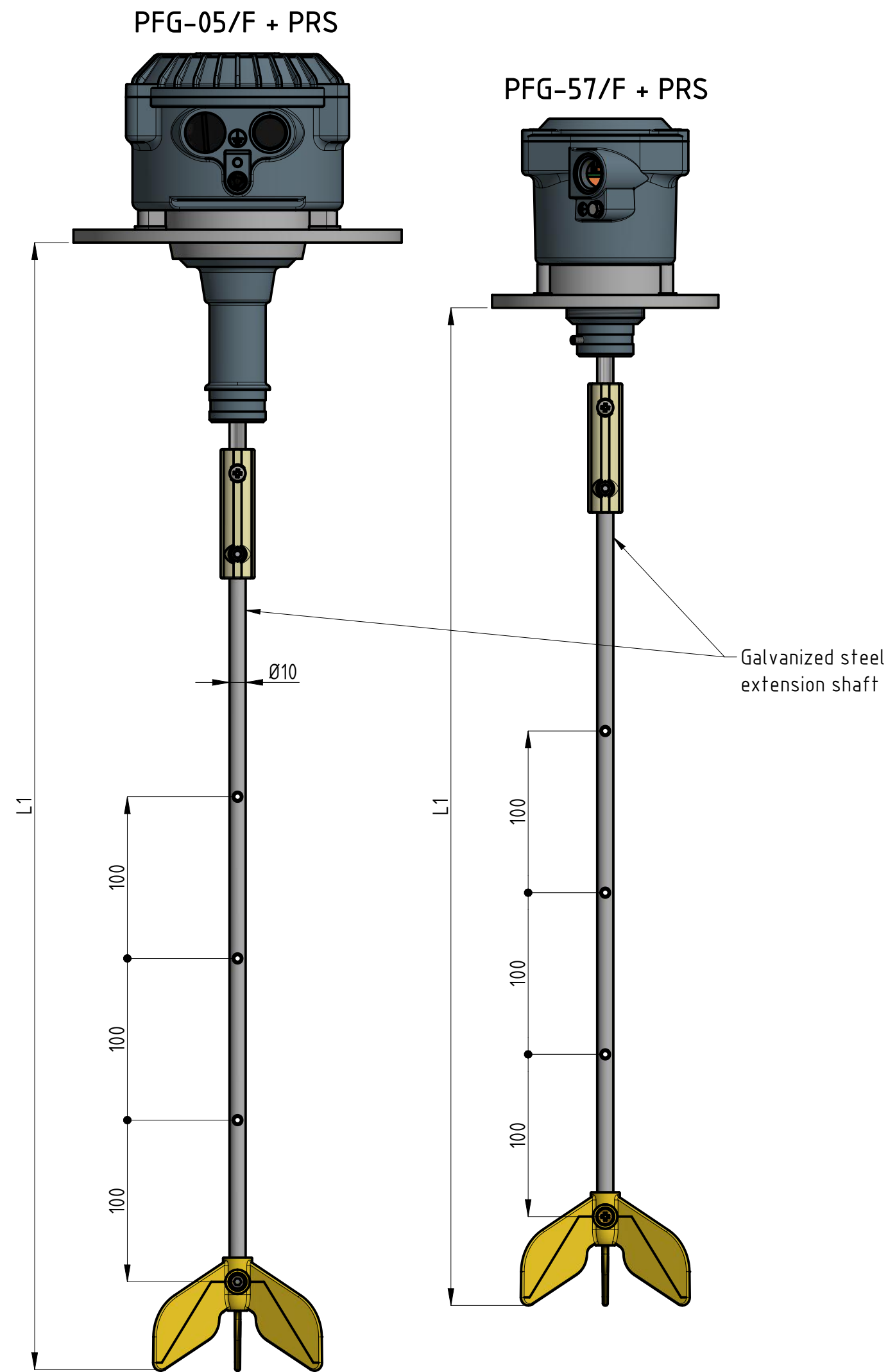
CAMLOGIC®

DRAWING N.
I4430

SHEET:
2 OF 5
REV: 1

SIZE: UN/A2

ADJUSTABLE EXTENSIONS (GALVANIZED STEEL)



PFG-05 with PRP / PRS

L1
[Total length]
500 ⁴⁾
600 ⁴⁾
700
800
900
1000
1200
1500
1800
2000
2500
3000

NOTES:

- 1) Unless otherwise specified - dimensions are in [mm] -
- 2) Lengths may vary according to the type of connection, model type and paddle chosen
- 3) Special extension lengths are available on request. Please contact commercial office
- 4) Single shaft execution (no plastic joint). Extension / protection not sold separately

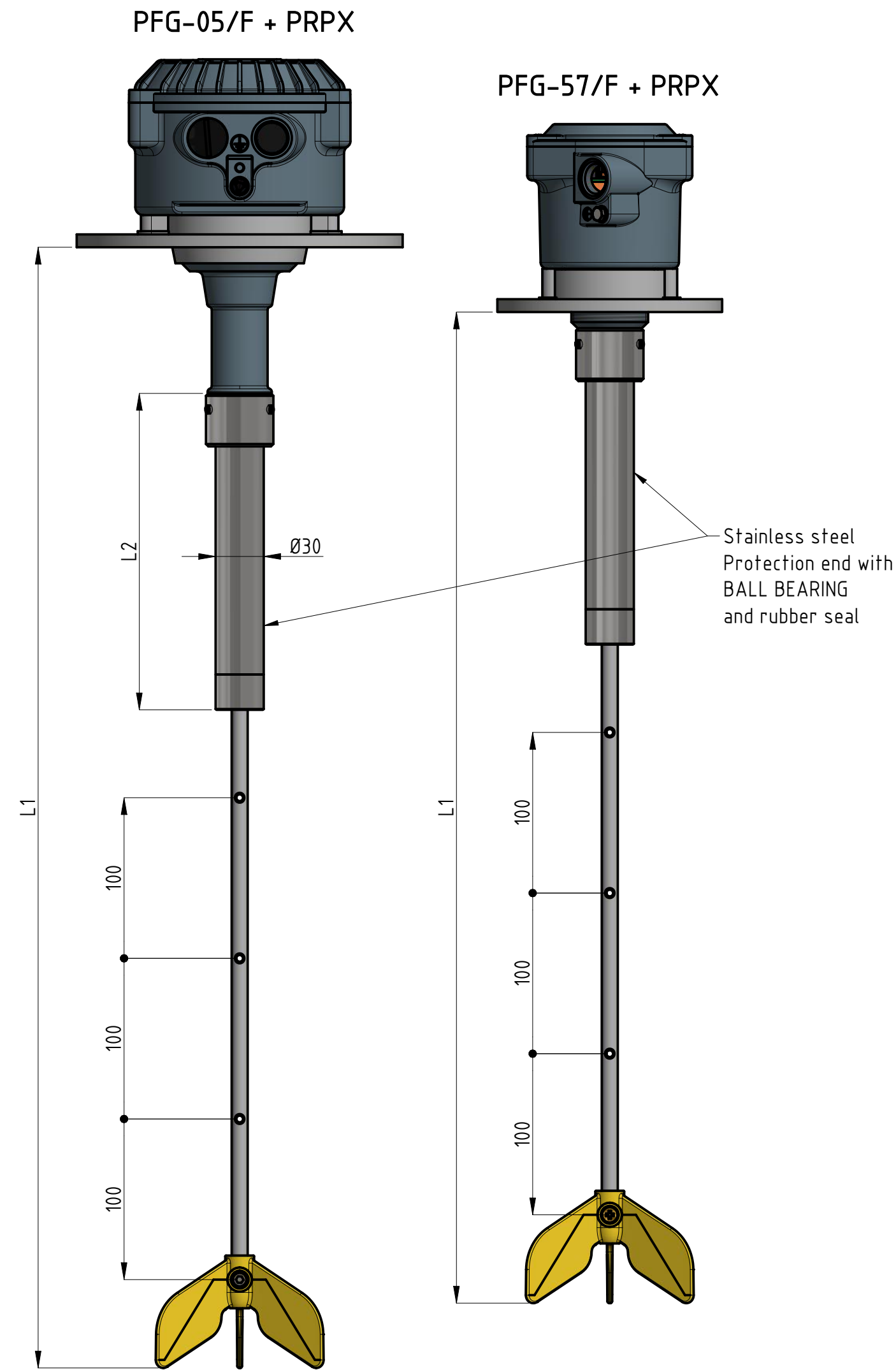
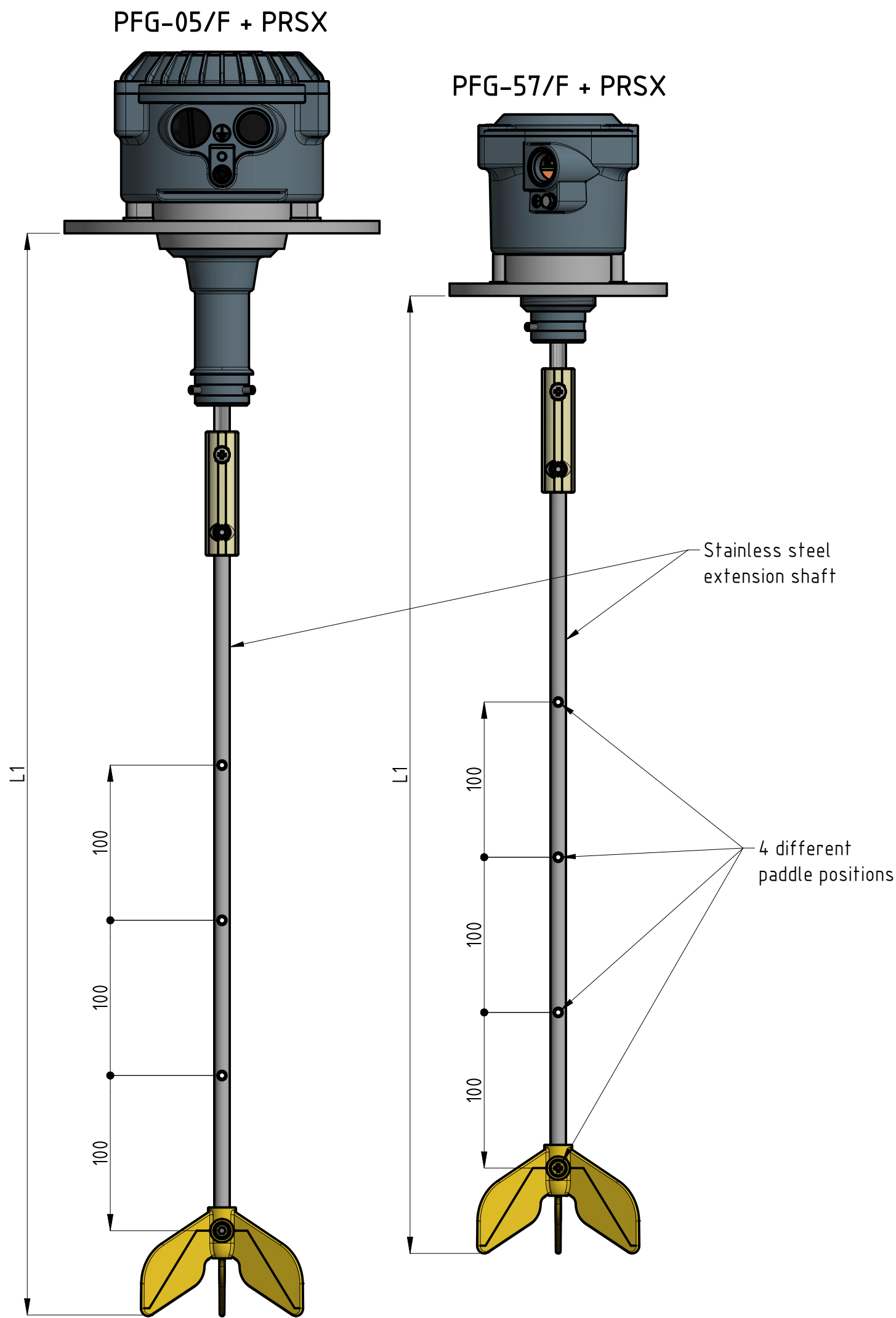
PFG-57 with PRP / PRS

L1
[Total length]
400 ⁴⁾
500 ⁴⁾
600
700
800
900
1100
1400
1700
1900
2400
2900

**CONFIDENTIAL / PROPRIETARY
DO NOT DISTRIBUTE**

© CAMLogic, 2020
- ALL RIGHTS RESERVED -

ADJUSTABLE EXTENSIONS (STAINLESS STEEL)



PFG-05 with PRPX / PRSX	
L1	
[Total length]	
500	4)
600	4)
700	
800	
900	
1000	
1200	
1500	
1800	
2000	
2500	
3000	

- NOTES:**
- 1) Unless otherwise specified - dimensions are in [mm] -
 - 2) Lengths may vary according to the type of connection, model type and paddle chosen
 - 3) Special extension lengths are available on request. Please contact commercial office
 - 4) Single shaft execution (no plastic joint). Extension / protection not sold separately

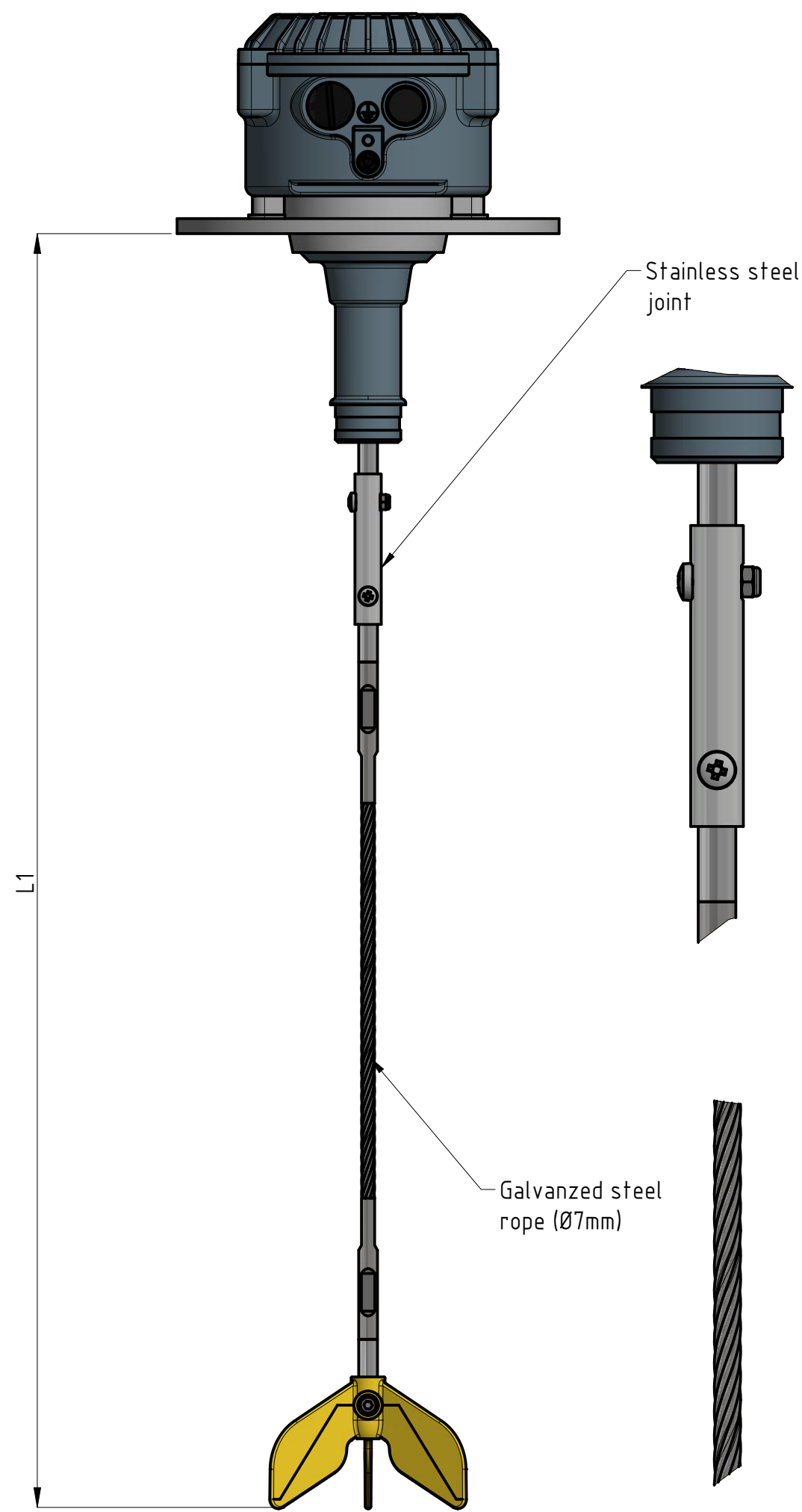
PFG-57 with PRPX / PRSX	
L1	
[Total length]	
400	4)
500	4)
600	
700	
800	
900	
1100	
1400	
1700	
1900	
2400	
2900	

**CONFIDENTIAL / PROPRIETARY
DO NOT DISTRIBUTE**

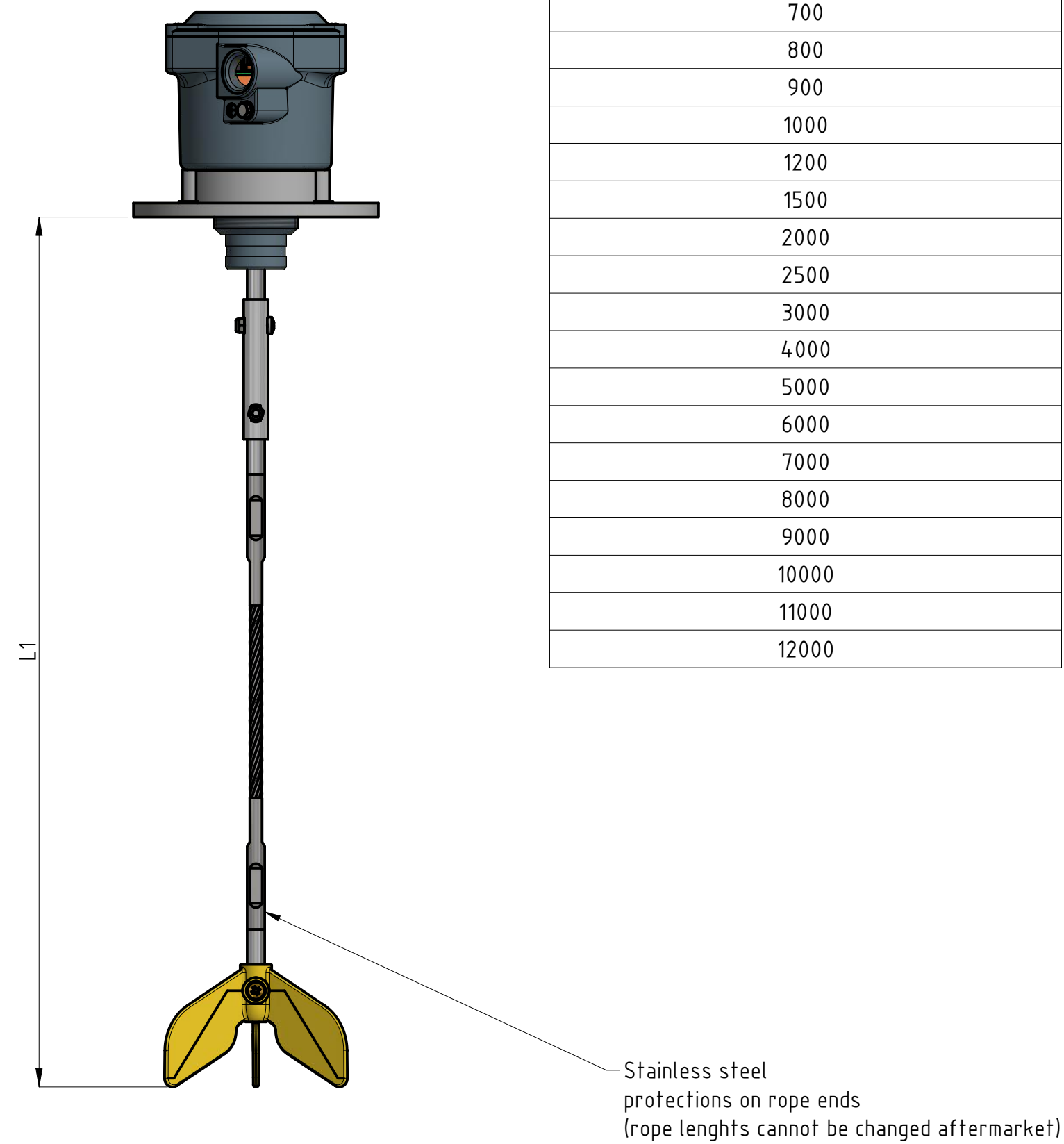
© CAMLogic, 2020
- ALL RIGHTS RESERVED -

FLEXIBLE EXTENSIONS

PFG-05/F + PF



PFG-57/F + PF



PFG-05 with PF	
L1	Total length [mm]
500	
600	
700	
800	
900	
1000	
1200	
1500	
2000	
2500	
3000	
4000	
5000	
6000	
7000	
8000	
9000	
10000	
11000	
12000	

PFG-57 with PF	
L1	Total length [mm]
500	
600	
700	
800	
900	
1000	
1200	
1500	
2000	
2500	
3000	
4000	
5000	
6000	
7000	
8000	
9000	
10000	
11000	
12000	

NOTES:

- 1) Unless otherwise specified - dimensions are in [mm] -
- 2) Lengths may vary according to the type of connection, model type and paddle chosen
- 3) Special extension lengths are available on request. Please contact commercial office
- 4) For lengths greater than 3m - due to the high axial load - it is necessary to use flexible extensions only with reinforced indicators (additional circlip on shaft). Please contact commercial office for additional information.

**CONFIDENTIAL / PROPRIETARY
DO NOT DISTRIBUTE**
© CAMLogic, 2020
- ALL RIGHTS RESERVED -